

# **EUK Series**

**NEW**



## **Ventilatore centrifugo a media pressione Centrifugal medium - pressure fan**

Ventilatore centrifugo a media pressione

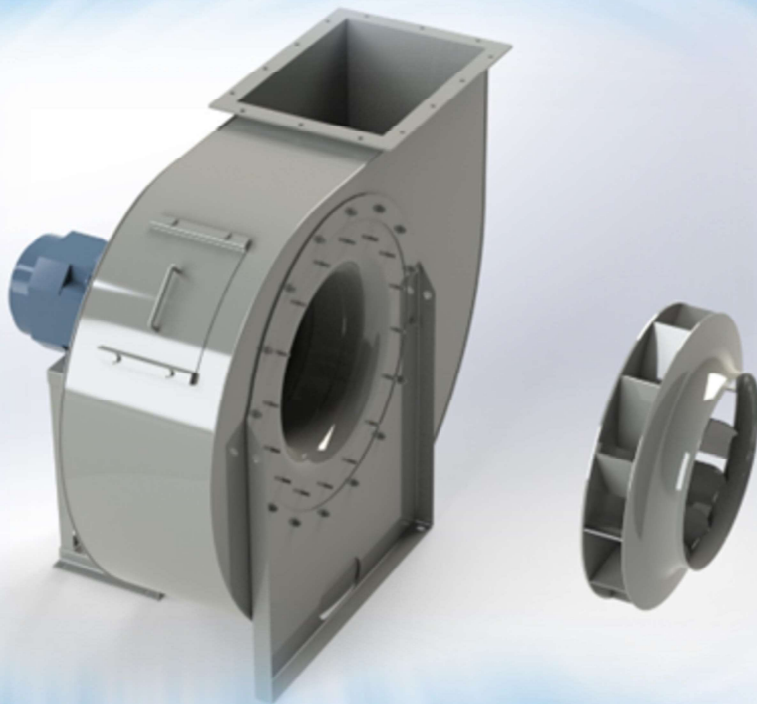
Girante con pale negative ad alto rendimento specifica per elevate portate d'aria e medie pressioni

Motore direttamente accoppiato o a trasmissione

Impiego: aspirazione di aria polverosa con materiali in sospensione

Temperatura massima dell'aria: +80°C standard e +150°C (accoppiamento diretto) o +350°C (accoppiamento a trasmissione) con VR

Vantaggi: miglioramento delle prestazioni sulla pressione totale parità di altre condizioni nella zona di massimo rendimento



*Medium-pressure centrifugal fan  
High efficiency backward curved blades impeller designed for high air flow and medium pressure  
Direct driven or belt coupled*

*Use: dusty air with various type of material in suspension*

*Max temperature: +80°C Standard construction  
and +150°C (for direct coupling) or +350°C (for belt driven)  
with cooling fan*

*Advantages: performances improvement of total pressure at the same operating conditions  
in the max efficiency area*

**MVF S.r.l.**

Via San Giovanni Bosco 12 15121 Alessandria (Italy)

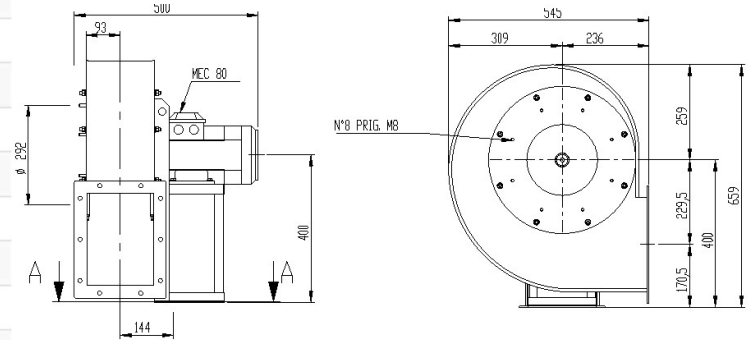
**Tel. +39 0131.68.730 E-mail: info@mvf.it Website: www.mvf.it**



## Specifications and dimensions

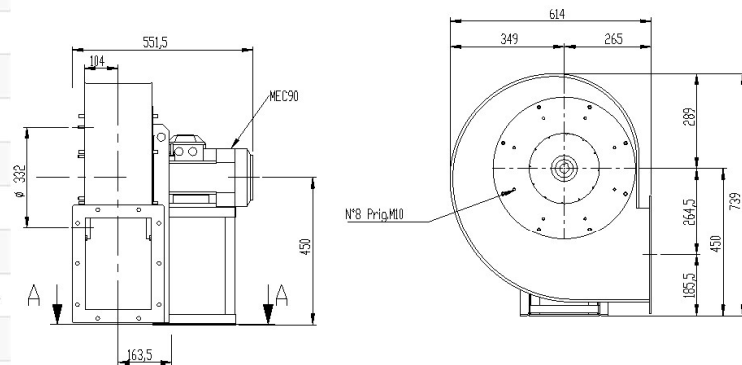
### EUK 311

AIR FLOW	14 - 51.700001 m <sup>3</sup> /min
INLET PRESSURE	81 - 160.300003 kg/m <sup>2</sup>
OUTLET PRESSURE	100 - 164 kg/m <sup>2</sup>
ENGINE INSTALLED	80 B - 2 poles
INSTALLED POWER	1.1 KW
ROTATION SPEED	2900 round/min
LIMIT SPEED	2960 round/min
FLUID TYPE	Clean, Dusty, Material transp.
INLET FLANGE	∅ 255 mm
OUTLET FLANGE	250 x 180 mm
WEIGHT WITHOUT ENGINE	33 Kg
GD <sup>2</sup>	0.21 Kg m <sup>2</sup>



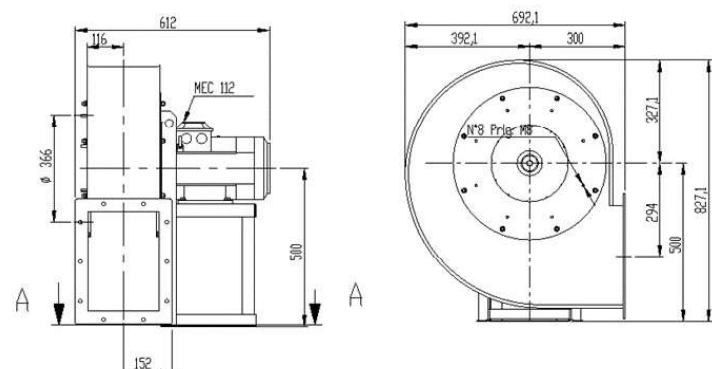
### EUK 351

AIR FLOW	23.299999 - 75 m <sup>3</sup> /min
INLET PRESSURE	118 - 212 kg/m <sup>2</sup>
OUTLET PRESSURE	144 - 219 kg/m <sup>2</sup>
ENGINE INSTALLED	90 L - 2 poles
INSTALLED POWER	2.2 KW
ROTATION SPEED	2900 round/min
LIMIT SPEED	2960 round/min
FLUID TYPE	Clean, Dusty, Material transp.
INLET FLANGE	∅ 286 mm
OUTLET FLANGE	280 x 200 mm
WEIGHT WITHOUT ENGINE	45 Kg
GD <sup>2</sup>	0.4 Kg m <sup>2</sup>



### EUK 401

AIR FLOW	32 - 112 m <sup>3</sup> /min
INLET PRESSURE	122 - 261 kg/m <sup>2</sup>
OUTLET PRESSURE	158 - 270.100006 kg/m <sup>2</sup>
ENGINE INSTALLED	112 M - 2 poles
INSTALLED POWER	4 KW
ROTATION SPEED	2930 round/min
LIMIT SPEED	2960 round/min
FLUID TYPE	Clean, Dusty, Material transp.
INLET FLANGE	∅ 321 mm
OUTLET FLANGE	315 x 224 mm
WEIGHT WITHOUT ENGINE	60 Kg
GD <sup>2</sup>	0.65 Kg m <sup>2</sup>

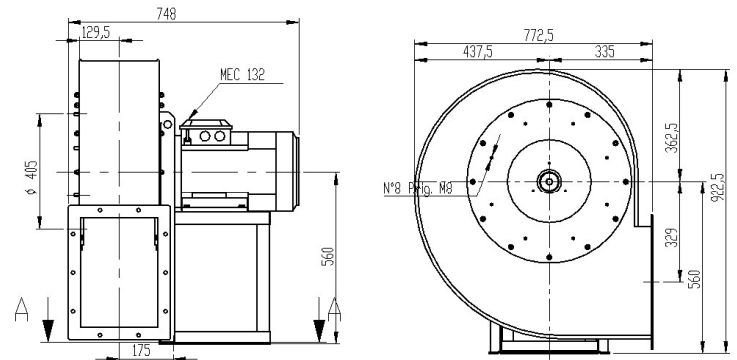


MVF S.r.l.

Via San Giovanni Bosco 12 15121 Alessandria (Italy)  
Tel. +39 0131.68.730 E-mail: [info@mvf.it](mailto:info@mvf.it) Website: [www.mvf.it](http://www.mvf.it)

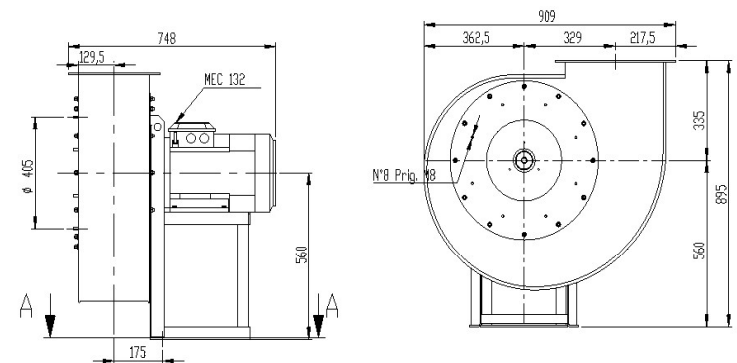
### EUK 451

AIR FLOW	45 - 160 m <sup>3</sup> /min
INLET PRESSURE	155 - 327.799988 kg/m <sup>2</sup>
OUTLET PRESSURE	198 - 341.5 kg/m <sup>2</sup>
ENGINE INSTALLED	132 SB - 2 poles
INSTALLED POWER	7.5 KW
ROTATION SPEED	2930 round/min
LIMIT SPEED	2960 round/min
FLUID TYPE	Clean, Dusty, Material transp.
INLET FLANGE	ø 361 mm
OUTLET FLANGE	355 x 250 mm
WEIGHT WITHOUT ENGINE	85 Kg
GD <sup>2</sup>	1.1 Kg m <sup>2</sup>



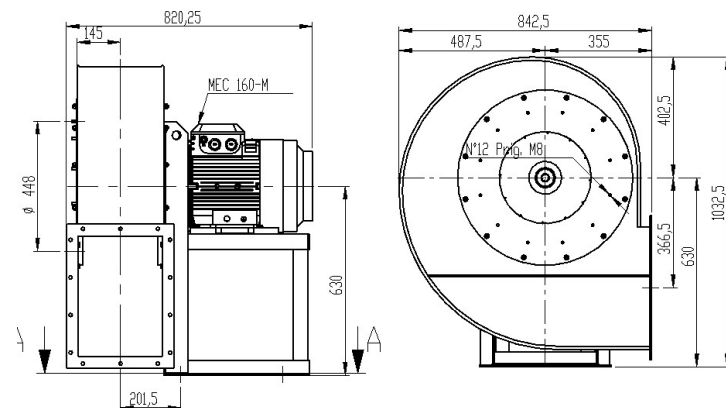
### EUK 452

AIR FLOW	38 - 131 m <sup>3</sup> /min
INLET PRESSURE	153 - 294 kg/m <sup>2</sup>
OUTLET PRESSURE	184 - 305 kg/m <sup>2</sup>
ENGINE INSTALLED	132 SA - 2 poles
INSTALLED POWER	5.5 KW
ROTATION SPEED	2930 round/min
LIMIT SPEED	2960 round/min
FLUID TYPE	Clean, Dusty, Material transp.
INLET FLANGE	ø 361 mm
OUTLET FLANGE	355 x 250 mm
WEIGHT WITHOUT ENGINE	80 Kg
GD <sup>2</sup>	1 Kg m <sup>2</sup>



### EUK 501/A

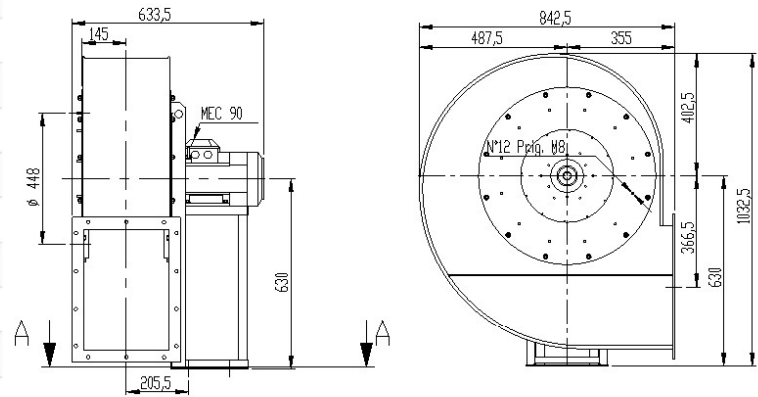
AIR FLOW	62.5 - 200 m <sup>3</sup> /min
INLET PRESSURE	230 - 401.899994 kg/m <sup>2</sup>
OUTLET PRESSURE	275 - 422.5 kg/m <sup>2</sup>
ENGINE INSTALLED	160 M - 2 poles
INSTALLED POWER	11 KW
ROTATION SPEED	2950 round/min
LIMIT SPEED	2970 round/min
FLUID TYPE	Clean, Dusty, Material transp.
INLET FLANGE	ø 408 mm
OUTLET FLANGE	400 x 280 mm
WEIGHT WITHOUT ENGINE	118 Kg
GD <sup>2</sup>	2 Kg m <sup>2</sup>





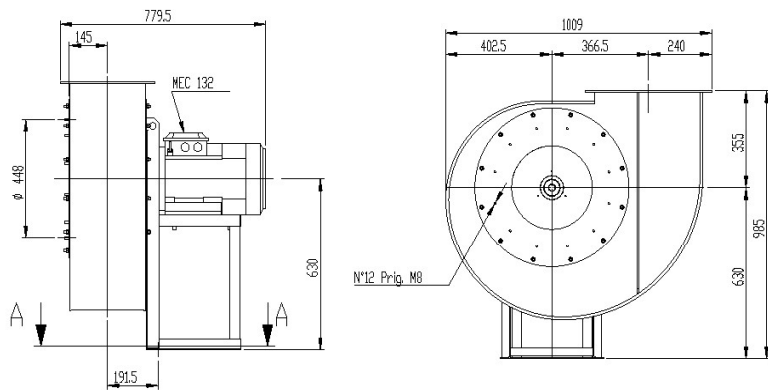
### EUK 501/B

AIR FLOW	30.6 - 104 m <sup>3</sup> /min
INLET PRESSURE	56.599998 - 99.300003 kg/m <sup>2</sup>
OUTLET PRESSURE	68 - 101.300003 kg/m <sup>2</sup>
ENGINE INSTALLED	90 L - 4 poles
INSTALLED POWER	1.5 KW
ROTATION SPEED	1420 round/min
LIMIT SPEED	1480 round/min
FLUID TYPE	Clean, Dusty, Material transp.
INLET FLANGE	∅ 408 mm
OUTLET FLANGE	400 x 280 mm
WEIGHT WITHOUT ENGINE	95 Kg
GD <sup>2</sup>	2.1 Kgm <sup>2</sup>



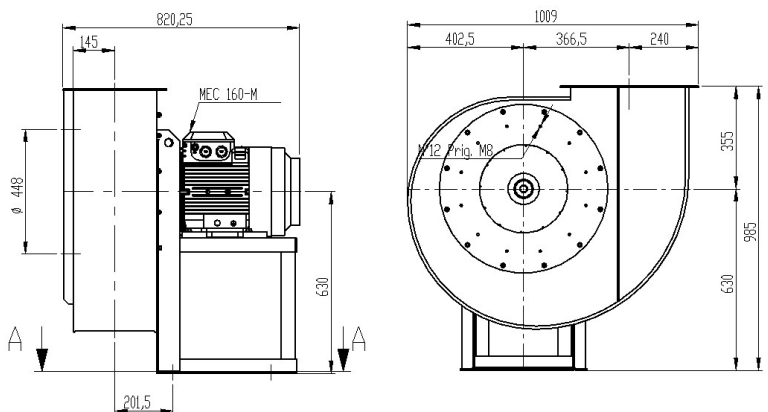
### EUK 502/A

AIR FLOW	53.599998 - 183 m <sup>3</sup> /min
INLET PRESSURE	194 - 365 kg/m <sup>2</sup>
OUTLET PRESSURE	231 - 381 kg/m <sup>2</sup>
ENGINE INSTALLED	132 SB - 2 poles
INSTALLED POWER	9.2 KW
ROTATION SPEED	2950 round/min
LIMIT SPEED	2970 round/min
FLUID TYPE	Clean, Dusty, Material transp.
INLET FLANGE	∅ 408 mm
OUTLET FLANGE	400 x 280 mm
WEIGHT WITHOUT ENGINE	108 Kg
GD <sup>2</sup>	1.9 Kgm <sup>2</sup>



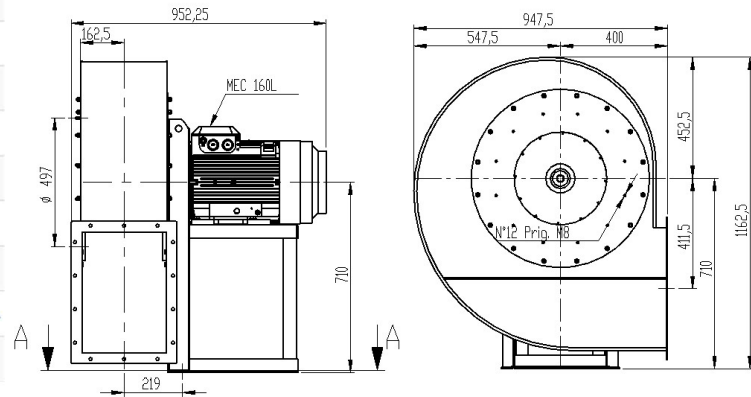
### EUK 502/B

AIR FLOW	53.599998 - 200 m <sup>3</sup> /min
INLET PRESSURE	154 - 365 kg/m <sup>2</sup>
OUTLET PRESSURE	197 - 381 kg/m <sup>2</sup>
ENGINE INSTALLED	160M - 2 poles
INSTALLED POWER	11 KW
ROTATION SPEED	2950 round/min
LIMIT SPEED	2970 round/min
FLUID TYPE	Clean, Dusty, Material transp.
INLET FLANGE	∅ 408 mm
OUTLET FLANGE	400 x 280 mm
WEIGHT WITHOUT ENGINE	115 Kg
GD <sup>2</sup>	1.9 Kgm <sup>2</sup>



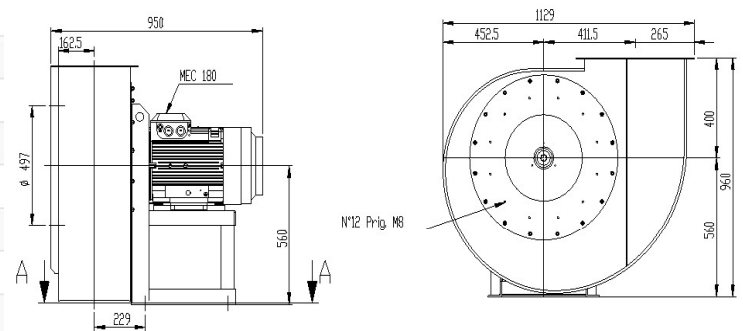
### EUK 561/A

AIR FLOW	85 - 200 m <sup>3</sup> /min
INLET PRESSURE	430 - 498.100006 kg/m <sup>2</sup>
OUTLET PRESSURE	472 - 529.099976 kg/m <sup>2</sup>
ENGINE INSTALLED	160 L - 2 poles
INSTALLED POWER	18.5 KW
ROTATION SPEED	2960 round/min
LIMIT SPEED	2980 round/min
FLUID TYPE	Clean, Dusty, Material transp.
INLET FLANGE	∅ 456 mm
OUTLET FLANGE	450 x 315 mm
WEIGHT WITHOUT ENGINE	158 Kg
GD <sup>2</sup>	3.7 Kgm <sup>2</sup>



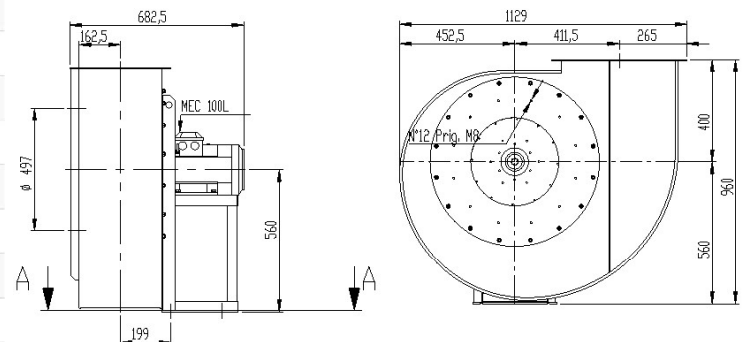
### EUK 561/B

AIR FLOW	85 - 300 m <sup>3</sup> /min
INLET PRESSURE	268 - 498.799988 kg/m <sup>2</sup>
OUTLET PRESSURE	332 - 529.099976 kg/m <sup>2</sup>
ENGINE INSTALLED	180 M - 2 poles
INSTALLED POWER	22 KW
ROTATION SPEED	2960 round/min
LIMIT SPEED	2980 round/min
FLUID TYPE	Clean, Dusty, Material transp.
INLET FLANGE	∅ 456 mm
OUTLET FLANGE	450 x 315 mm
WEIGHT WITHOUT ENGINE	170 Kg
GD <sup>2</sup>	3.5 Kgm <sup>2</sup>



### EUK 561/C

AIR FLOW	43 - 102 m <sup>3</sup> /min
INLET PRESSURE	104 - 124 kg/m <sup>2</sup>
OUTLET PRESSURE	113.5 - 127 kg/m <sup>2</sup>
ENGINE INSTALLED	100 LA - 4 poles
INSTALLED POWER	2.2 KW
ROTATION SPEED	1450 round/min
LIMIT SPEED	1480 round/min
FLUID TYPE	Clean, Dusty, Material transp.
INLET FLANGE	∅ 456 mm
OUTLET FLANGE	450 x 315 mm
WEIGHT WITHOUT ENGINE	146 Kg
GD <sup>2</sup>	3.7 Kgm <sup>2</sup>

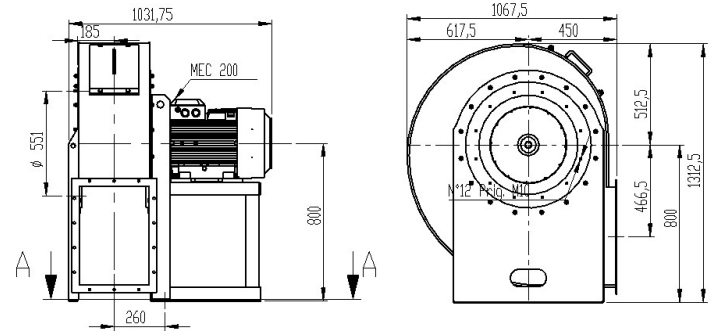




## Specifications and dimensions

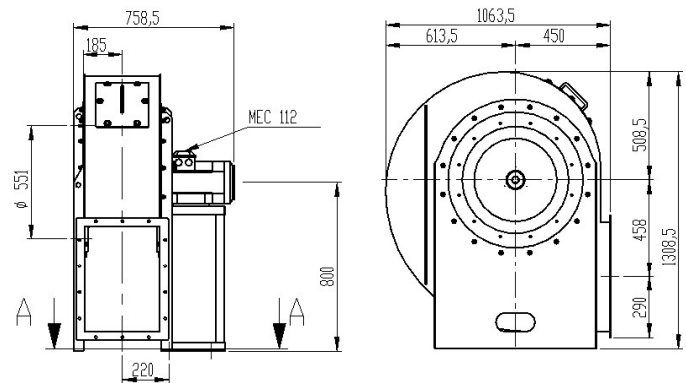
### EUK 631/A

AIR FLOW	125 - 426 m <sup>3</sup> /min
INLET PRESSURE	320 - 623 kg/m <sup>2</sup>
OUTLET PRESSURE	407 - 669.900024 kg/m <sup>2</sup>
ENGINE INSTALLED	200 L - 2 poles
INSTALLED POWER	37 KW
ROTATION SPEED	2960 round/min
LIMIT SPEED	3000 round/min
FLUID TYPE	Clean, Dusty, Material transp.
INLET FLANGE	ø 506 mm
OUTLET FLANGE	500 x 355 mm
WEIGHT WITHOUT ENGINE	210 Kg
GD <sup>2</sup>	6.4 Kgm <sup>2</sup>



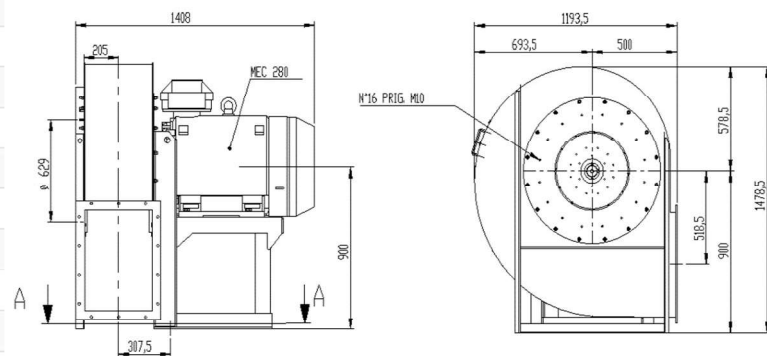
### EUK 631/B

AIR FLOW	60 - 180 m <sup>3</sup> /min
INLET PRESSURE	102 - 157 kg/m <sup>2</sup>
OUTLET PRESSURE	116 - 160.800003 kg/m <sup>2</sup>
ENGINE INSTALLED	112 M - 4 poles
INSTALLED POWER	4 KW
ROTATION SPEED	1450 round/min
LIMIT SPEED	1500 round/min
FLUID TYPE	Clean, Dusty, Material transp.
INLET FLANGE	ø 506 mm
OUTLET FLANGE	500 x 355 mm
WEIGHT WITHOUT ENGINE	175 Kg
GD <sup>2</sup>	6.5 Kgm <sup>2</sup>



### EUK 711/A

AIR FLOW	200 - 630 m <sup>3</sup> /min
INLET PRESSURE	386 - 777 kg/m <sup>2</sup>
OUTLET PRESSURE	501 - 852 kg/m <sup>2</sup>
ENGINE INSTALLED	280 S - 2 poles
INSTALLED POWER	75 KW
ROTATION SPEED	2960 round/min
LIMIT SPEED	3000 round/min
FLUID TYPE	Clean, Dusty, Material transp.
INLET FLANGE	ø 568 mm
OUTLET FLANGE	560 x 400 mm
WEIGHT WITHOUT ENGINE	295 Kg
GD <sup>2</sup>	10.5 Kgm <sup>2</sup>



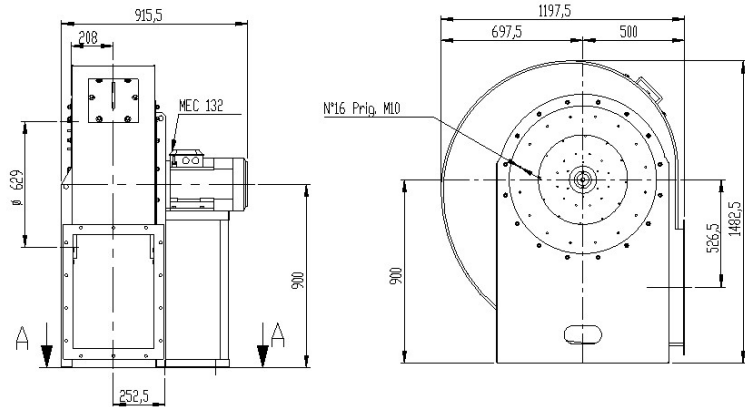
MVF S.r.l.

Via San Giovanni Bosco 12 15121 Alessandria (Italy)

Tel. +39 0131.68.730 E-mail: [info@mvf.it](mailto:info@mvf.it) Website: [www.mvf.it](http://www.mvf.it)

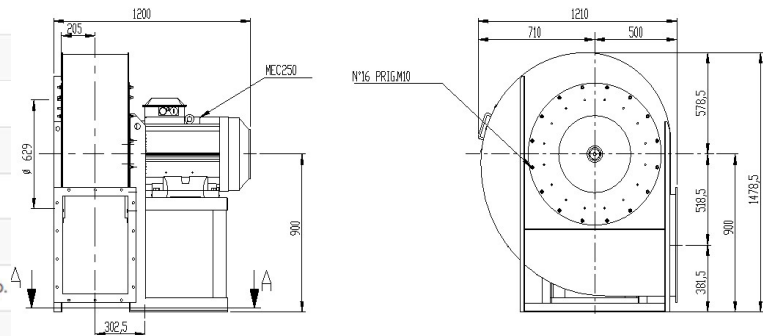
### EUK 711/B

AIR FLOW	85 - 225 m <sup>3</sup> /min
INLET PRESSURE	155.75 - 203 kg/m <sup>2</sup>
OUTLET PRESSURE	171.720001 - 209 kg/m <sup>2</sup>
ENGINE INSTALLED	132 SB - 4 poles
INSTALLED POWER	7.5 KW
ROTATION SPEED	1470 round/min
LIMIT SPEED	1490 round/min
FLUID TYPE	Clean, Dusty, Material transp.
INLET FLANGE	∅ 568 mm
OUTLET FLANGE	560 x 400 mm
WEIGHT WITHOUT ENGINE	230 Kg
GD <sup>2</sup>	10.8 Kgm <sup>2</sup>



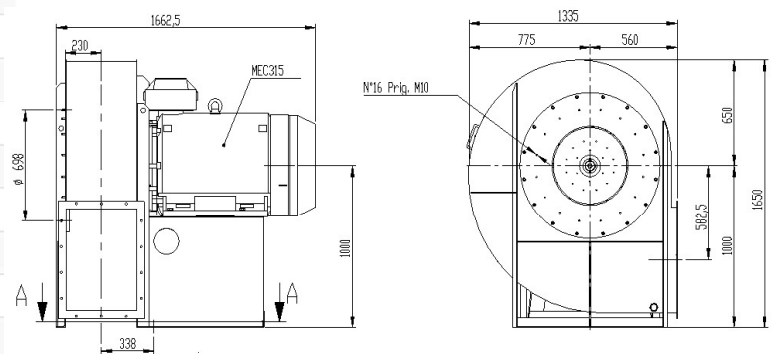
### EUK 712/A

AIR FLOW	160 - 560 m <sup>3</sup> /min
INLET PRESSURE	292 - 699 kg/m <sup>2</sup>
OUTLET PRESSURE	385 - 757.99988 kg/m <sup>2</sup>
ENGINE INSTALLED	250 M - 2 poles
INSTALLED POWER	55 KW
ROTATION SPEED	2960 round/min
LIMIT SPEED	3000 round/min
FLUID TYPE	Clean, Dusty, Material transp.
INLET FLANGE	∅ 568 mm
OUTLET FLANGE	560 x 400 mm
WEIGHT WITHOUT ENGINE	270 Kg
GD <sup>2</sup>	9.3 Kgm <sup>2</sup>



### EUK 801/A

AIR FLOW	250 - 900 m <sup>3</sup> /min
INLET PRESSURE	462 - 977 kg/m <sup>2</sup>
OUTLET PRESSURE	620 - 1090 kg/m <sup>2</sup>
ENGINE INSTALLED	315 M - 2 poles
INSTALLED POWER	132 KW
ROTATION SPEED	2960 round/min
LIMIT SPEED	2980 round/min
FLUID TYPE	Clean, Dusty, Material transp.
INLET FLANGE	∅ 638 mm
OUTLET FLANGE	630 x 450 mm
WEIGHT WITHOUT ENGINE	380 Kg
GD <sup>2</sup>	19 Kgm <sup>2</sup>

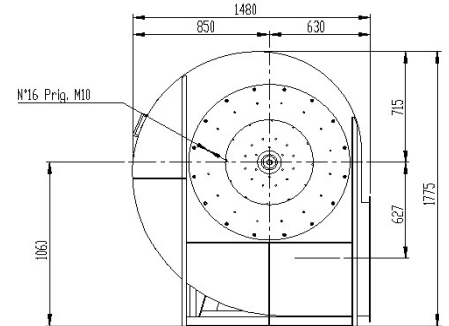
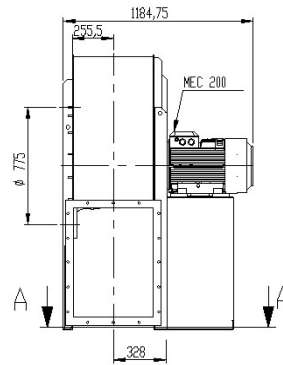




## Specifications and dimensions

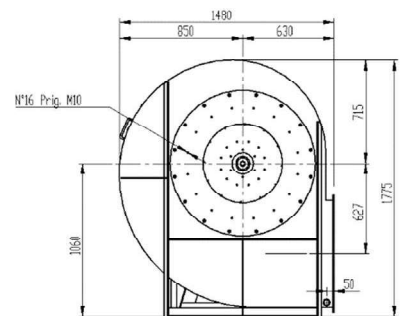
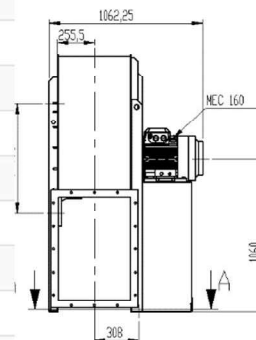
### EUK 901/A

AIR FLOW	179 - 630 m <sup>3</sup> /min
INLET PRESSURE	165 - 321 kg/m <sup>2</sup>
OUTLET PRESSURE	210 - 335.5 kg/m <sup>2</sup>
ENGINE INSTALLED	200 L - 4 poles
INSTALLED POWER	30 KW
ROTATION SPEED	1470 round/min
LIMIT SPEED	1490 round/min
FLUID TYPE	Clean, Dusty, Material transp.
INLET FLANGE	∅ 718 mm
OUTLET FLANGE	710 x 500 mm
WEIGHT WITHOUT ENGINE	429 Kg
GD <sup>2</sup>	36 Kgm <sup>2</sup>



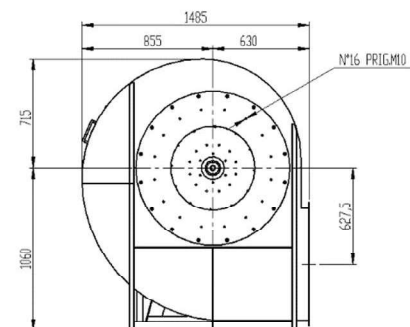
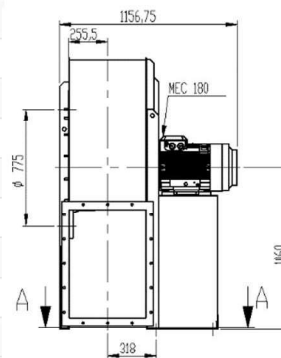
### EUK 901/B

AIR FLOW	119 - 355 m <sup>3</sup> /min
INLET PRESSURE	97 - 143 kg/m <sup>2</sup>
OUTLET PRESSURE	110 - 147 kg/m <sup>2</sup>
ENGINE INSTALLED	160 M - 6 poles
INSTALLED POWER	7.5 KW
ROTATION SPEED	980 round/min
LIMIT SPEED	980 round/min
FLUID TYPE	Clean, Dusty, Material transp.
INLET FLANGE	∅ 718 mm
OUTLET FLANGE	710 x 500 mm
WEIGHT WITHOUT ENGINE	380 Kg
GD <sup>2</sup>	36 Kgm <sup>2</sup>



### EUK 902/A

AIR FLOW	150 - 338 m <sup>3</sup> /min
INLET PRESSURE	251 - 296 kg/m <sup>2</sup>
OUTLET PRESSURE	269 - 307 kg/m <sup>2</sup>
ENGINE INSTALLED	180 M - 4 poles
INSTALLED POWER	18.5 KW
ROTATION SPEED	1470 round/min
LIMIT SPEED	1490 round/min
FLUID TYPE	Clean, Dusty, Material transp.
INLET FLANGE	∅ 718 mm
OUTLET FLANGE	710 x 500 mm
WEIGHT WITHOUT ENGINE	390 Kg
GD <sup>2</sup>	32 Kgm <sup>2</sup>



MVF S.r.l.

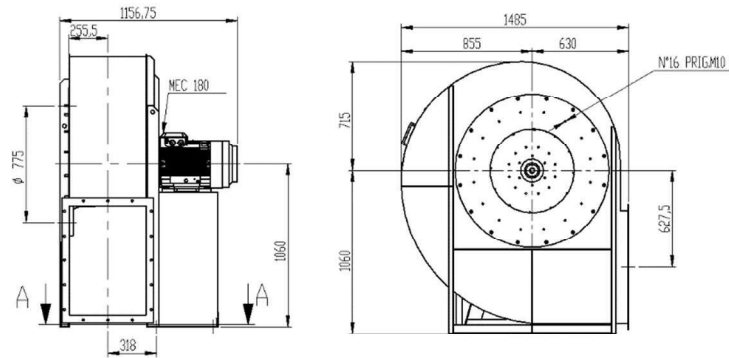
Via San Giovanni Bosco 12 15121 Alessandria (Italy)

Tel. +39 0131.68.730 E-mail: [info@mvf.it](mailto:info@mvf.it) Website: [www.mvf.it](http://www.mvf.it)



### EUK 902/B

AIR FLOW	150 - 630 m <sup>3</sup> /min
INLET PRESSURE	111 - 296 kg/m <sup>2</sup>
OUTLET PRESSURE	141 - 307 kg/m <sup>2</sup>
ENGINE INSTALLED	180 L - 4 poles
INSTALLED POWER	22 KW
ROTATION SPEED	1470 round/min
LIMIT SPEED	1490 round/min
FLUID TYPE	Clean, Dusty, Material transp.
INLET FLANGE	∅ 718 mm
OUTLET FLANGE	710 x 500 mm
WEIGHT WITHOUT ENGINE	390 Kg
GD <sup>2</sup>	32 Kg·m <sup>2</sup>



### EUK 1001/A

AIR FLOW	245 - 800 m <sup>3</sup> /min
INLET PRESSURE	237 - 395 kg/m <sup>2</sup>
OUTLET PRESSURE	285 - 414 kg/m <sup>2</sup>
ENGINE INSTALLED	225 M - 4 poles
INSTALLED POWER	45 KW
ROTATION SPEED	1470 round/min
LIMIT SPEED	1490 round/min
FLUID TYPE	Clean, Dusty, Material transp.
INLET FLANGE	∅ 808 mm
OUTLET FLANGE	800 x 560 mm
WEIGHT WITHOUT ENGINE	575 Kg
GD <sup>2</sup>	60 Kg·m <sup>2</sup>

